

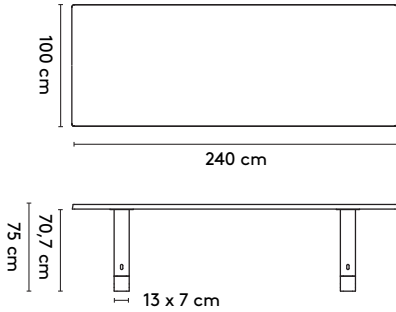
# 1 Base

# Jorre van Ast

# 2013 - 2016

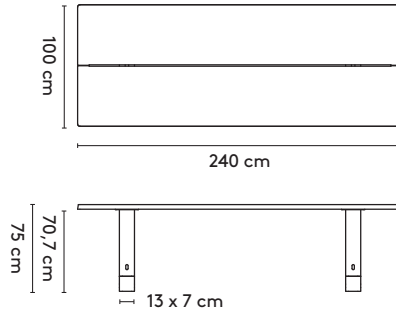
## 2a Standard

Base 1 rectangular (thickened 2x20 mm)



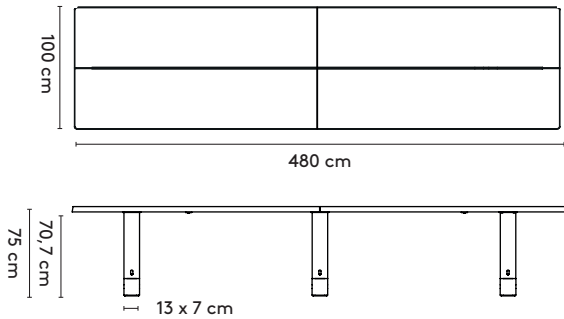
240 x 100 x 75 cm (between legs 167 cm)  
 280 x 100/120 x 75 cm (between legs 187 cm)  
 320 x 105/120 x 75 cm (between legs 207 cm)  
 360 x 105/120 x 75 cm (between legs 227 cm)

Base 2 rectangular (solid)



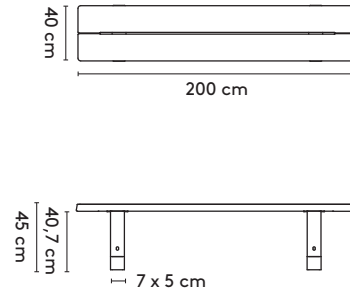
240 x 100 x 75 cm (between legs 170/150/130/110 cm)  
 280 x 100/120 x 75 cm (between legs 210/190/170/150 cm)  
 320 x 105/120 x 75 cm (between legs 250/230/210/190 cm)  
 360 x 105/120 x 75 cm (between legs 230 cm)

Base 2 rectangular connected



480 x 100 x 75 cm (between legs 192/182/172/162 cm)  
 560 x 100 x 75 cm (between legs 232/222/212/202 cm)  
 560 x 120 x 75 cm (between legs 232/222/212/202 cm)

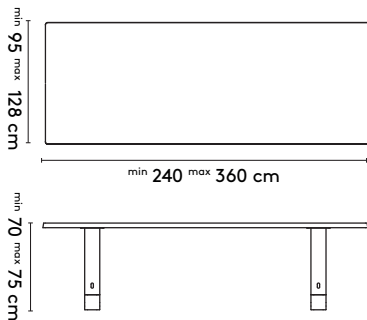
Base bench



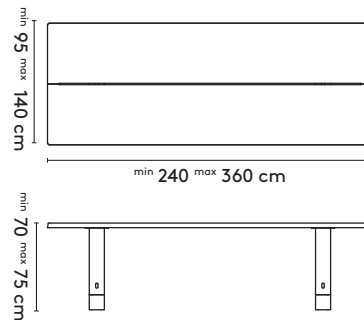
200 x 40 x 45 cm  
 240 x 40 x 45 cm  
 280 x 40 x 45 cm  
 320 x 40 x 45 cm

## 2b Tailoring

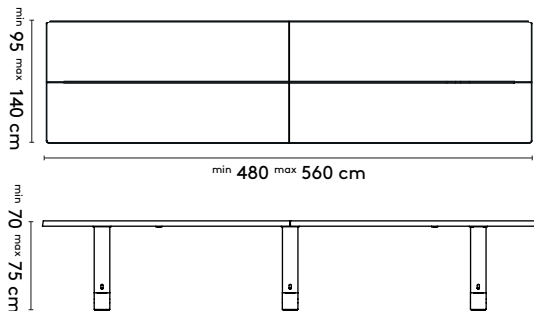
Base rectangular 1 (thickened)



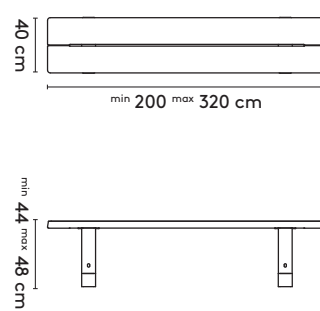
Base rectangular 2 (solid)



Base rectangular 2 connected



Base bench



product

designer

year

# 1 Base

# Jorre van Ast

2013 - 2016

## 3 Materials

**Top: oak (solid, local wood) or walnut (solid), oak smoked (solid)**  
**Legs: oak (solid, local wood), walnut (solid), oak smoked (solid)**  
**Base: concrete (natural, color laquer)**

## Materialen

Blad: eiken (massief, lokaal hout) of noten (massief), eiken gerookt (massief)  
Onderstel: eiken (massief, lokaal hout), noten (massief), eiken gerookt (massief)  
Voet: beton (natural, kleurlak)

## Materialien

Platte: Eiche (Massiv, lokales Holz) oder Nussbaum (Massiv), Eiche geräuchert (Massiv)  
Untergestell: Eiche (Massiv, lokales Holz), Nussbaum (Massiv), Eiche geräuchert (Massiv)  
Fuss: Beton (natural, farblack)

## 4 Finishes

All Arco colors and finishes for the mentioned materials

## Afwerkingen

Alle Arco kleuren en (lak)afwerkingen voor de genoemde materialen

## Ausführungen

Alle Arco Farben und Ausführungen für die genannten Materialien

## 5 Additional information

Legs can be mounted at 22, 32, 42 or 52 cm from the short side of the table.  
Legs can be mounted at 52 cm only for size 360 cm

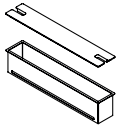
## Aanvullende informatie

Onderstel kan worden gemonteerd op 22, 32, 42 of 52 cm van de korte zijde van de tafel  
Onderstel kan bij 360 cm alleen op 52 cm worden gemonteerd

## Weitere Informationen

Untergestell kann auf 22, 32, 42 oder 52 cm der kurze Seite des Tisches montiert werden  
Untergestell kann bei 360 cm nur auf 52 cm montiert werden

## 6 Cable management



CM06/CM07  
epoxy  
30/50 cm



CM15  
EVOLINE® One spot  
Ø 5,9 cm



CM08/CM09  
cable-net  
small/large



CM12  
cable sock  
large



CM13  
zipper sock  
short